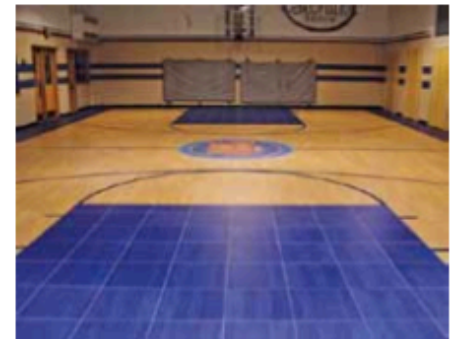




90' x 120' University Basketball Facility



45' x 35' Indoor Gym Floor

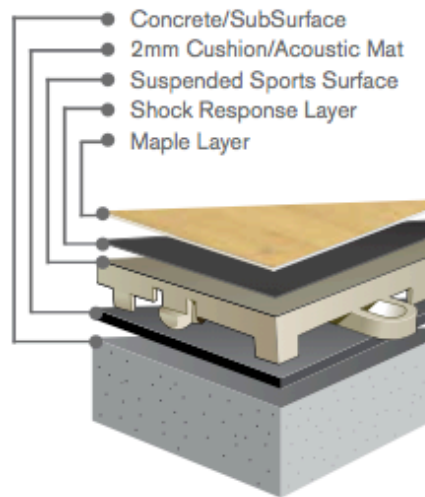


40' x 75' Indoor Gym Floor

## KEY BENEFITS

- Authentic maple look
- High performance basketball surface
- Not affected by moisture or humidity
- Create a new floor or retrofit over most floors in 48-72 hours
- Versatile for multiple types of activities
- Low annual maintenance
- Vertical and lateral shock absorption
- Custom logos and graphics available
- No adhesives or anchoring required
- Portable or permanent
- Proudly Made in the U.S.A.
- 12 Year Warranty

## SYSTEM LAYERS



## SPECS

Synthetic Maple Solid Top Design (18"x18"x5/8")  
 High Impact Copolymer Suspended Flooring  
 144 Individual Impact Zones  
 Weight: 56 oz. (1587.57 g)  
 Friction (ASTM C 1028): Dry-0.77, Wet-0.61  
 Rolling Load (DIN 18032-02): Pass  
 Force Reduction (DIN 18032-02): 22%  
 Standard Deformation (DIN 18032-02): 0.9mm  
 Ball Rebound (DIN 18032-02): 98%  
 Load Bearing Capacity (DIN 18032-02): >250 PSI  
 Flatness: 0.0mm  
 Lateral Movement: 0.00° - 0.045°  
 Noise Reduction Coefficient (ASTM C423): 5-10%  
 For Architectural Specifications please visit our website: [www.snapsports.com](http://www.snapsports.com)

SnapSports is a **FIBA** Associate Manufacturer for Maple XL

## APPLICATIONS

Schools  
 Church Family Life Centers  
 Recreation Centers  
 Multi-Activity Centers  
 Sports Camp Facilities  
 Rehab Clinics and Hospitals  
 Military  
 Sports Training Facilities

Aerobics  
 Dance  
 Pilates  
 Yoga  
 Martial Arts  
 Display  
 Events  
 Home Gyms

**Private Athletic Clubs For:**  
 Basketball  
 Volleyball  
 Futsal®  
 Team Handball  
 Raquetball & Squash  
 Badminton

► **SNAPSPORTS.COM**

800.664.DUNK  
(3865)